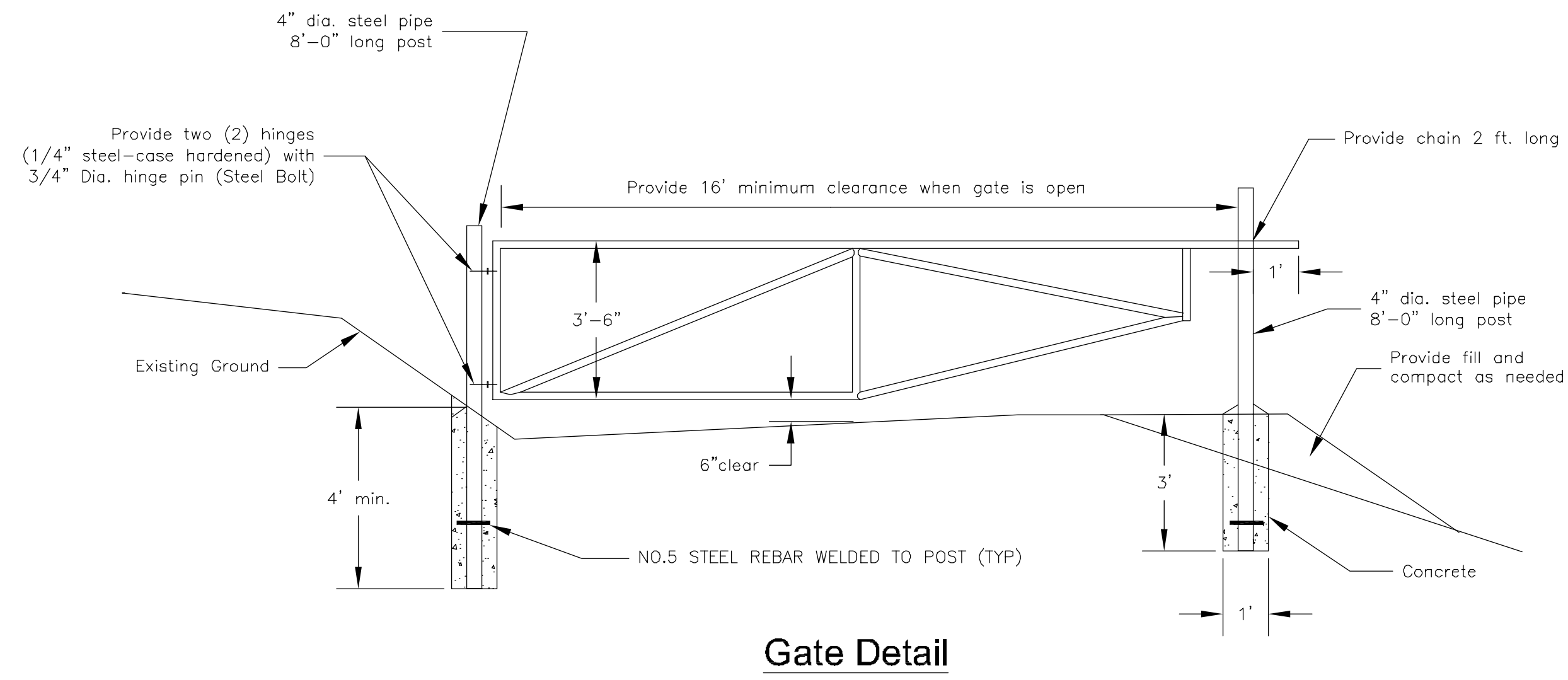
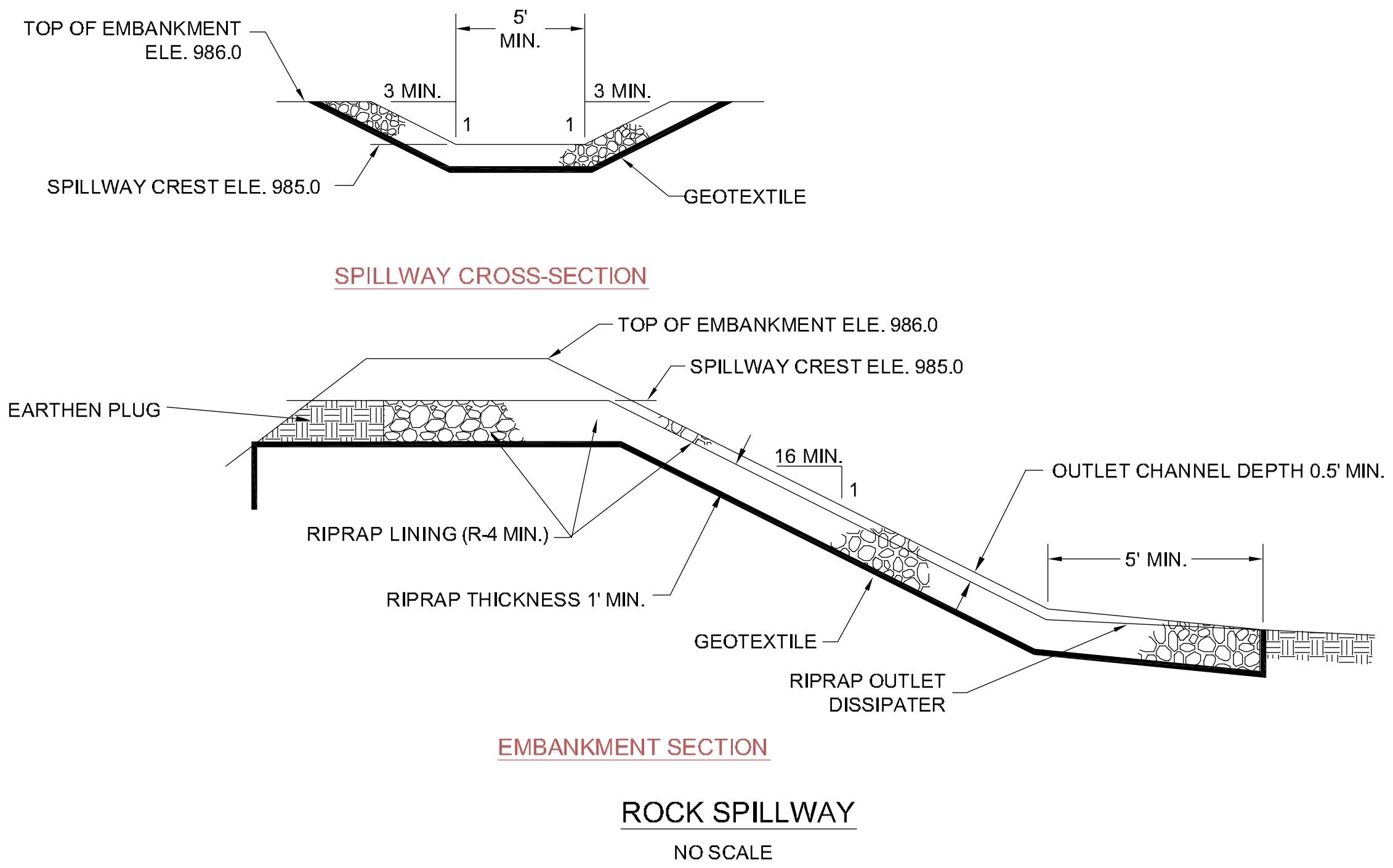


- NOTES: 1. Gate to be welded 2" dia. steel pipe.
 2. All welds to be ground smooth.
 3. The gate posts shall be capped with 1/4" steel welded to posts.

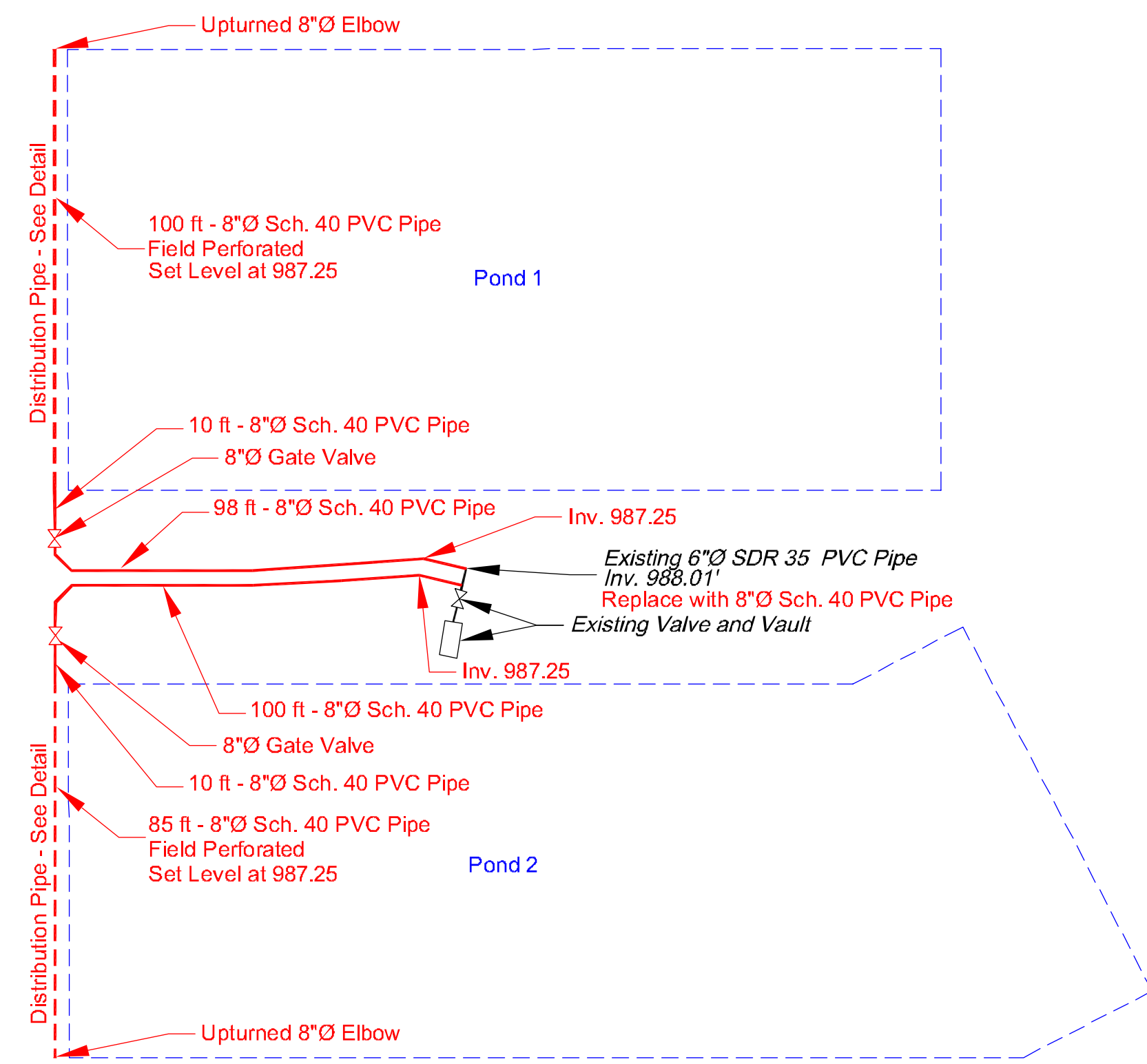


Gate Detail

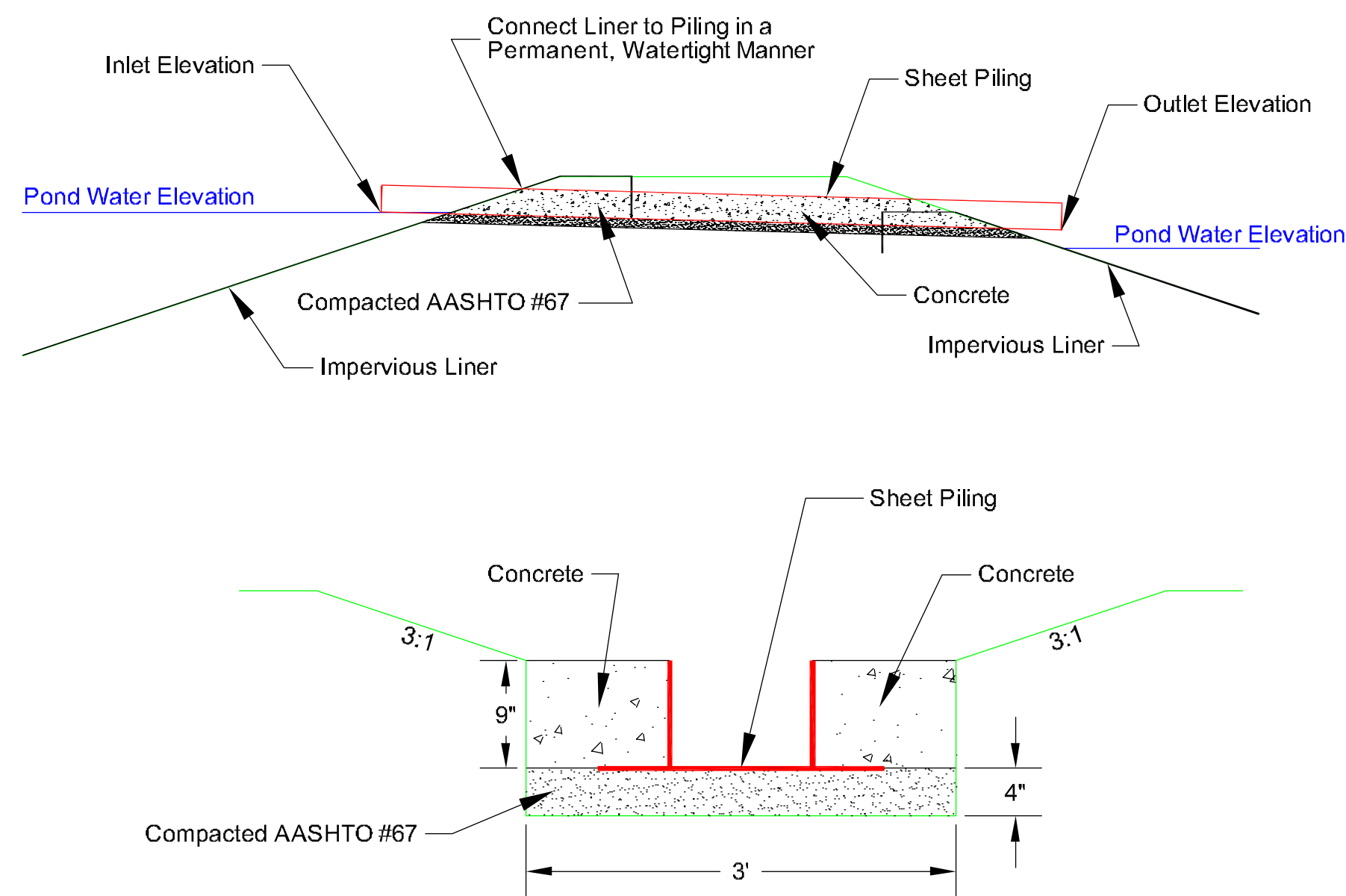


EMBANKMENT SECTION

**ROCK SPILLWAY
NO SCALE**

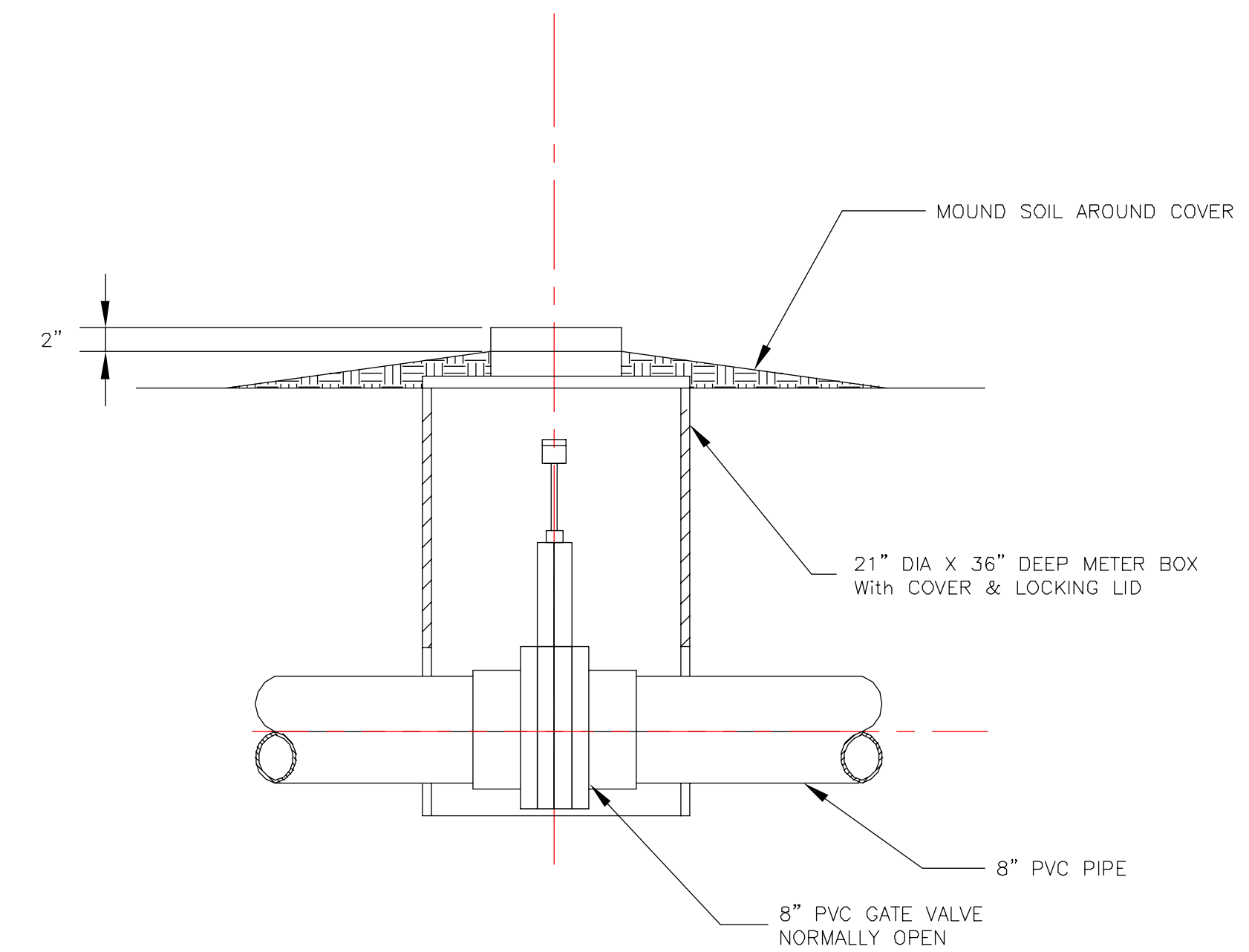


**Plumbing Detail
Scale: 1" = 30'**



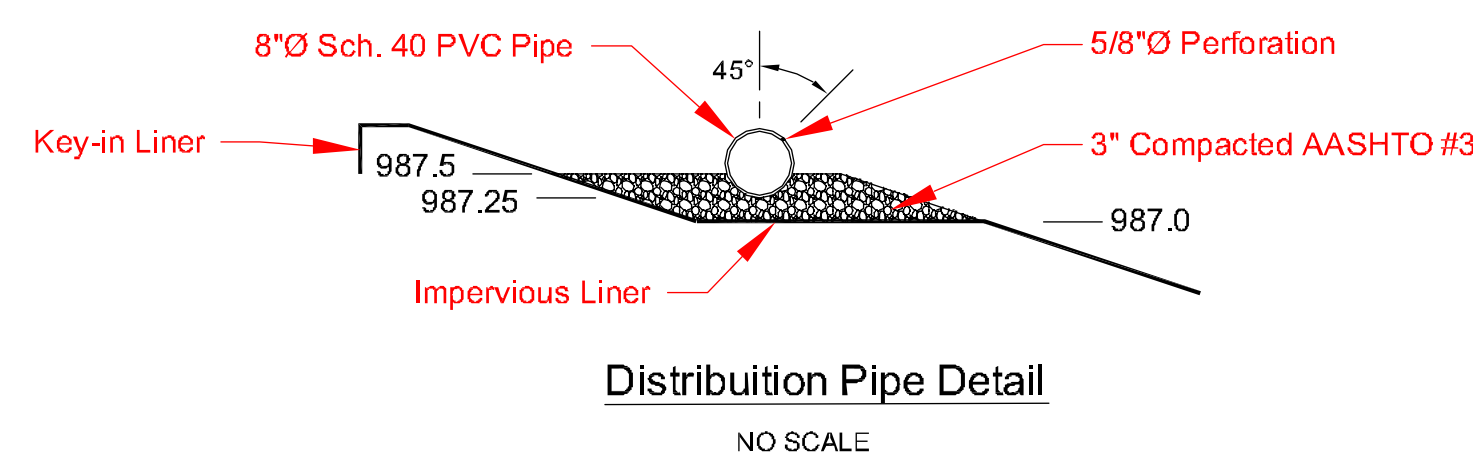
Transfer Troughs				
Set of Troughs	Inlet Elev.	Outlet Elev.	Piling Length (ft.)	Piling Count
Pond 1 to Pond 3	987.0	986.5	19.0	5
Pond 2 to Pond 3	987.0	986.5	19.0	5
Pond 3 to Constructed Wetland	986.0	985.5	21.0	7

**Transfer Trough Details
NO SCALE**



8" PVC GATE VALVE WITH LOCKING COVER

SCALE: 1" = 1'



**Distribution Pipe Detail
NO SCALE**

No.	Date	Description	By

No.	Date	Description

No.	Date	Description